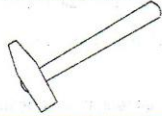
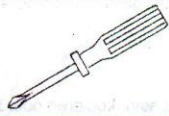




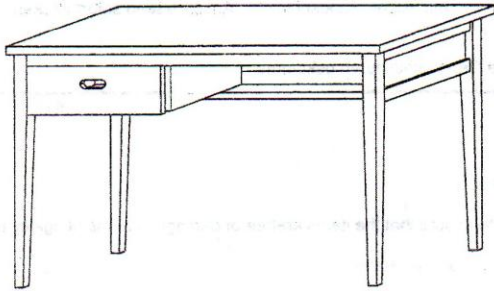
Gebrauchs- u. Montageanleitung - Servicekarte  
Assembly instructions - service card

Ident.-Nr



100207-1

77327



A = 34 x



B = 34 x



C = 24 x



8 x 32

D = 14 x

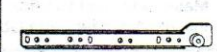


3,5 x 25

E = 1 x



F = 1 x



G = 1 x



H = 1 x



I = 4 x



5,8/6,5x11

J = 4 x

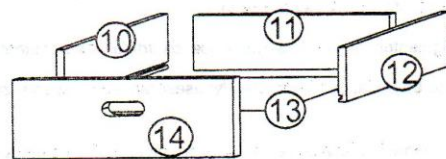
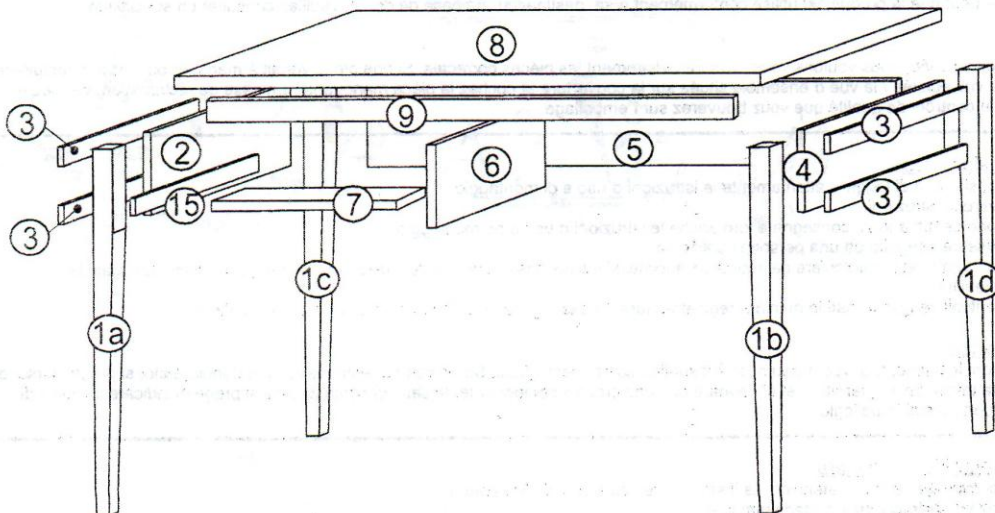


3,5 x 15

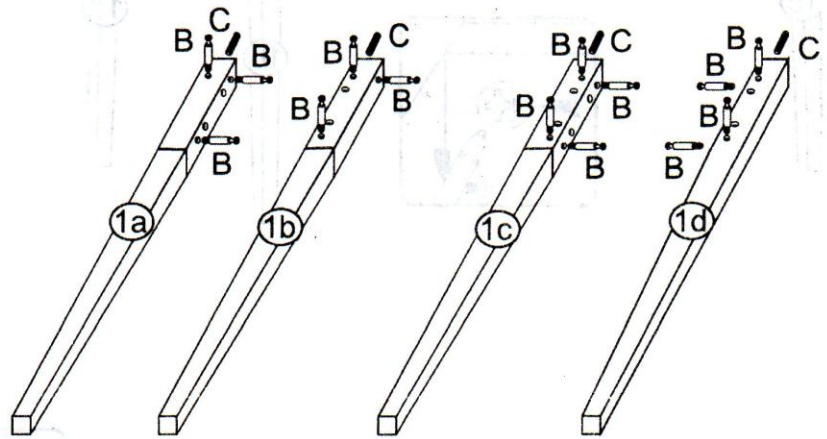
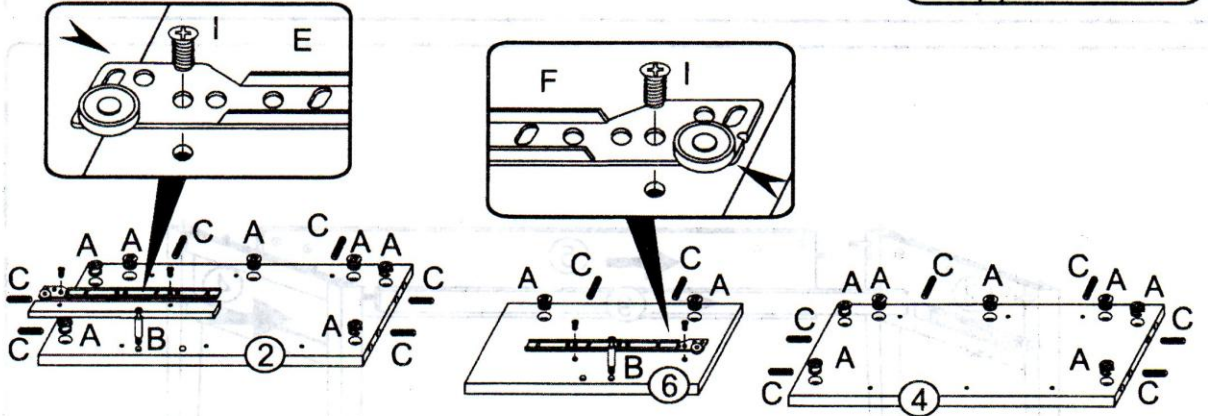
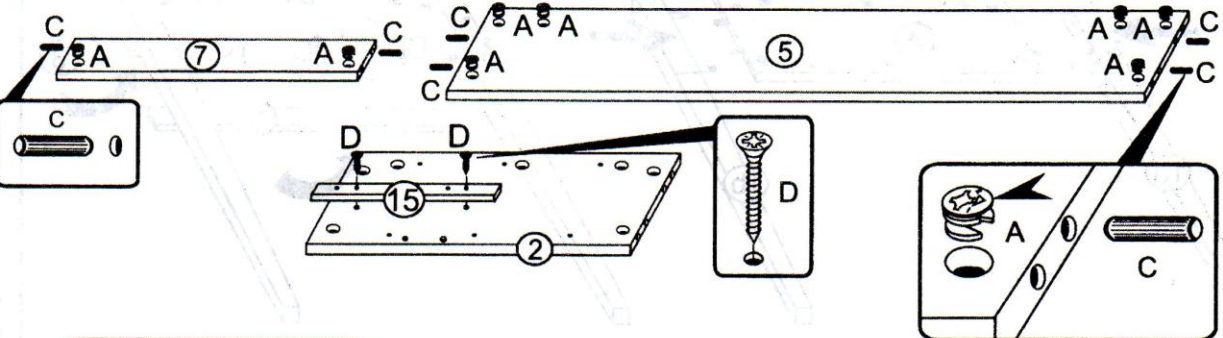
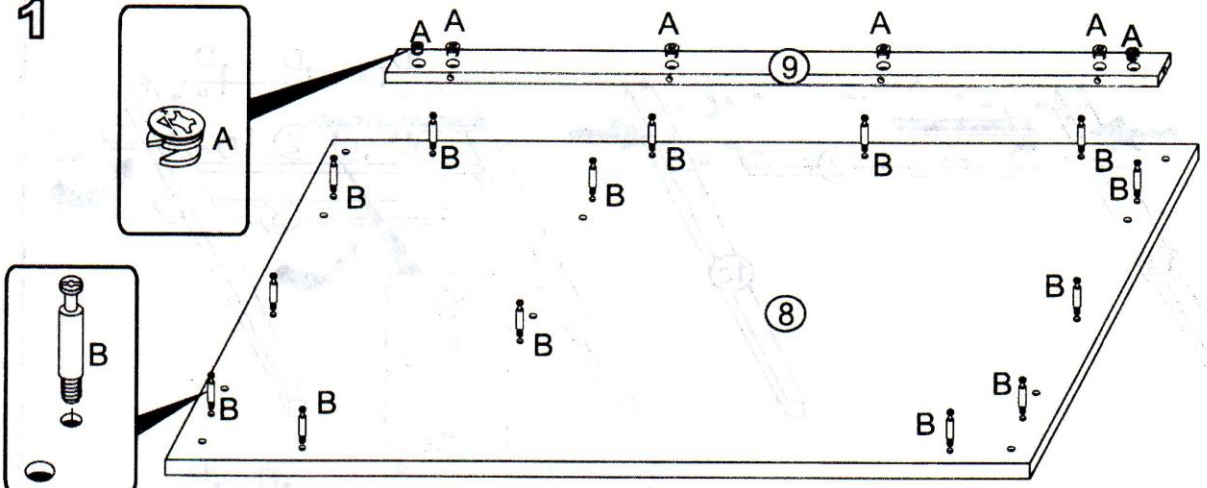
K = 4 x



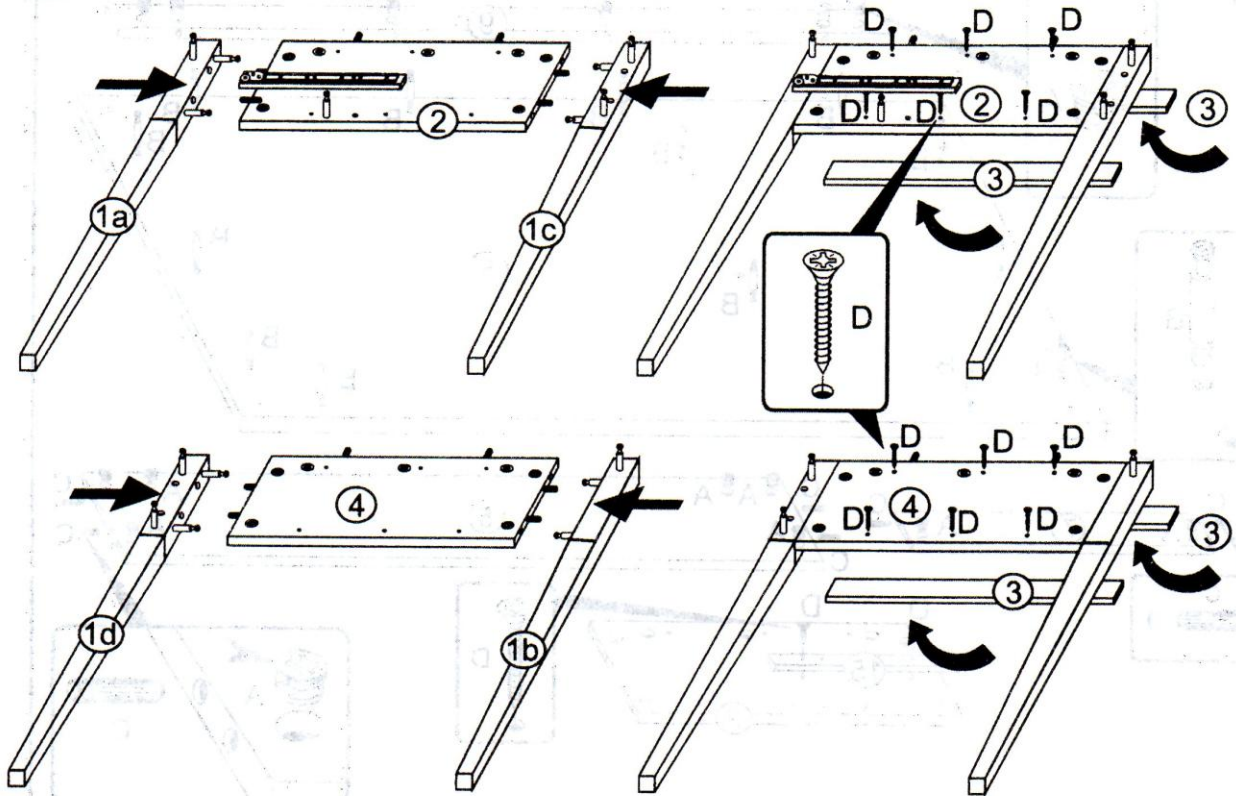
4,0 x 35



1



2



3

